

NH12-440W

12V440W / 15min



Introduction

Generagy NH (high rate) series is primarily for all critical power and UPS applications. Designed with a high-density plate technology, the series battery is featured of high consistency, excellent performance and reliable standby service life. It is widely applied in UPS/EPS, high power backup system and emergency power supply.

Battery Features

- High rate output aimed at the UPS market
- Low self-discharge
- Fully tank formed plates
- Low impurity electrolyte
- Spill proof / leak proof
- Multi-position usage
- ABS case and cover VO upon request
- Very high purity lead

Electrical Specification

Design floating Life @ 25°C (77°F)	10 years
Nominal Capacity @ 25°C /77°F	
Watt @ 15min to 1.67V/cell	440 W/cell
Watt @ 10min to 1.67V/cell	544 W/cell
Internal Resistance	
(Fully charged battery @ 25°C /77°F)	4mΩ
Max. Discharge Current @ 25°C /77°F	1440A (5S)
Charge Methods: Constant voltage charge @ 25°C /77°F	
Cycle Use	14.7 ~ 14.9V
Max. Current	23.0A
Standby Use	13.6 ~ 13.8V
Operating Temperature Range	-30 ~ 50°C
<i>Notes: battery voltage must be adjusted according to temperature.</i>	
<i>Please refer to our recommendation.</i>	
Self-Discharge	3% of capacity declined per month @ 25°C (77°F).

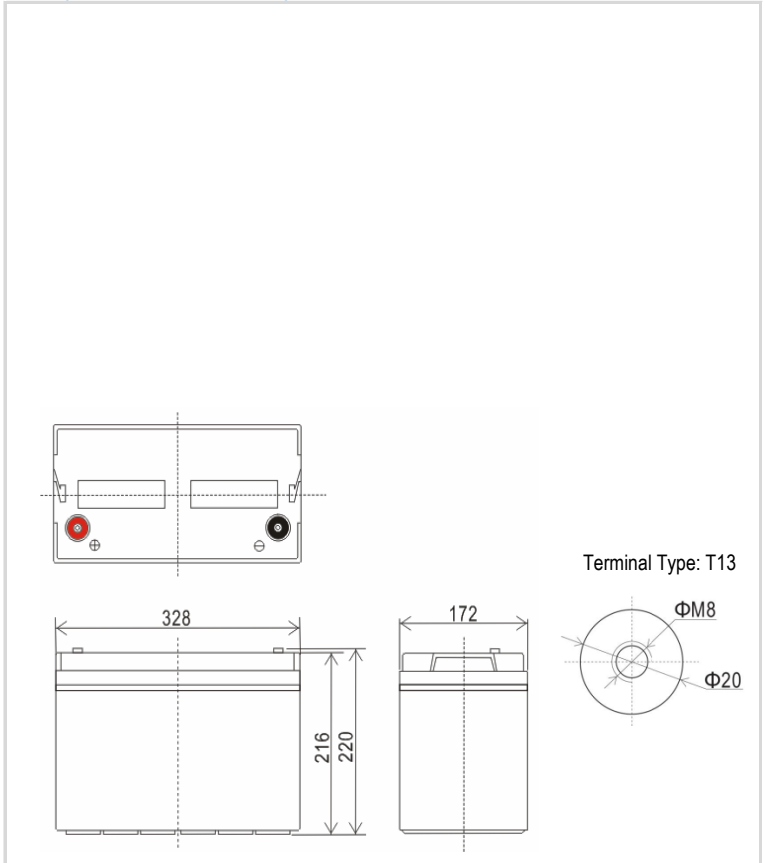
Typical Applications

- UPS/EPS (High rate)
- High power backup supply
- Emergency power supply
- Emergency lighting
- Electric starting

Certificates



Battery Picture & Terminal Layout



Dimension & Weight

	Dimension (± 2mm)				Weight (± 2%)
	Length	Width	Height	Total Height	
	328 mm	172 mm	216 mm	220 mm	33.7 kg
	12.9 inch	6.8 inch	8.5 inch	8.7 inch	74.3 lbs

Constant Current Discharge (Amperes @ 25°C /77°F)

V/cell	10min	15min	20min	30min	45min	55min	1hr	2hr	3hr
1.60	317.89	256.42	201.69	144.84	105.45	97.89	90.15	46.71	33.32
1.65	301.38	244.54	191.47	138.92	101.15	93.93	86.92	44.87	32.00
1.70	283.83	229.43	180.71	131.39	96.31	89.68	83.70	43.03	30.68
1.75	266.29	214.31	169.96	123.86	91.47	85.44	80.47	41.18	29.37
1.80	247.71	199.74	158.66	115.25	86.09	80.91	77.24	39.34	28.05

Constant Power Discharge (Watts/cell @ 25°C /77°F)

V/cell	10min	15min	20min	30min	45min	55min	1hr	2hr	3hr
1.60	572.0	464.4	363.3	275.48	200.24	187.58	172.46	90.41	64.42
1.65	552.9	447.3	349.2	262.99	191.73	180.71	167.92	87.82	62.56
1.67	544.7	440.1	343.5	256.18	187.75	177.42	165.65	86.52	61.64
1.70	533.8	430.2	335.0	250.50	182.64	173.24	162.81	84.90	60.48
1.75	512.1	413.1	320.8	238.01	173.56	165.77	157.70	81.98	58.39
1.80	487.5	393.2	303.7	224.39	163.91	157.70	152.02	78.74	56.08

NH12-440W

12V440W / 15min



Graphs

