

# NH12-600W

12V600W / 15min



## Introduction

**Generagy NH (high rate) series** is primarily for all critical power and UPS applications. Designed with a high-density plate technology, the series battery is featured of high consistency, excellent performance and reliable standby service life. It is widely applied in UPS/EPS, high power backup system and emergency power supply.

## Battery Features

- High rate output aimed at the UPS market
- Low self-discharge
- Fully tank formed plates
- Low impurity electrolyte
- Spill proof / leak proof
- Multi-position usage
- ABS case and cover VO upon request
- Very high purity lead

## Electrical Specification

Design floating Life @ 25°C (77°F) ..... 10 years

Nominal Capacity @ 25°C /77°F

Watt @ 15min to 1.67V/cell ..... 600 W/cell

Watt @ 10min to 1.67V/cell ..... 742 W/cell

Internal Resistance

(Fully charged battery @ 25°C /77°F ) ..... 4mΩ

Max. Discharge Current @ 25°C /77°F ..... 1960A (5S)

Charge Methods: Constant voltage charge @ 25°C /77°F

Cycle Use ..... 14.7 ~ 14.9V

Max. Current ..... 31.0A

Standby Use ..... 13.6 - 13.8V

Operating Temperature Range ..... -30 ~ 50°C

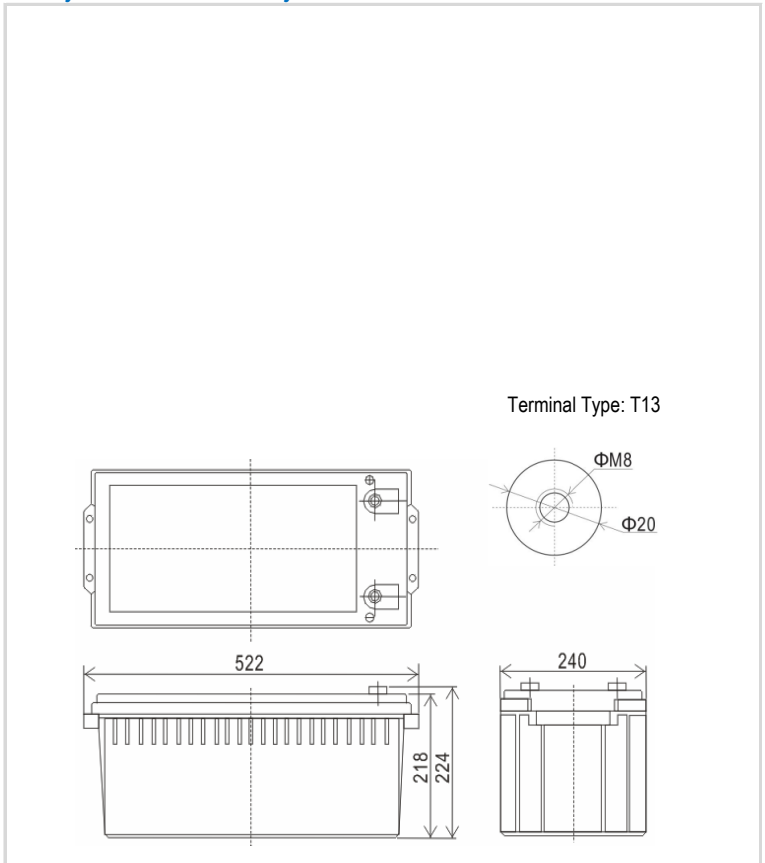
Notes: battery voltage must be adjusted according to temperature.

Please refer to our recommendation.

Self-Discharge

3% of capacity declined per month @ 25°C (77°F).

## Battery Picture & Terminal Layout



## Dimension & Weight

	Dimension (± 2mm)				Weight (± 2%)
	Length	Width	Height	Total Height	
	522 mm	240 mm	218 mm	224 mm	59.5 kg
	20.6 inch	9.4 inch	8.6 inch	8.8 inch	131.2 lbs

## Constant Current Discharge (Amperes @ 25°C /77°F)

V/cell	10min	15min	20min	30min	45min	55min	1hr	2hr	3hr
1.60	433.29	349.50	274.90	197.55	143.91	133.75	123.13	63.67	45.43
1.65	410.78	333.31	260.97	189.49	138.05	128.35	118.73	61.16	43.63
1.70	386.86	312.71	246.31	179.22	131.45	122.56	114.33	58.65	41.84
1.75	362.95	292.11	231.65	168.96	124.85	116.78	109.93	56.13	40.04
1.80	337.62	272.24	216.26	157.23	117.52	110.60	105.53	53.62	38.25

## Constant Power Discharge (Watts/cell @ 25°C /77°F)

V/cell	10min	15min	20min	30min	45min	55min	1hr	2hr	3hr
1.60	779.6	633.0	495.2	375.23	272.79	255.81	235.05	123.03	87.72
1.65	753.6	609.7	475.9	358.21	261.18	246.44	228.86	119.50	85.19
<b>1.67</b>	<b>742.5</b>	<b>600.0</b>	<b>468.2</b>	<b>348.92</b>	<b>255.76</b>	<b>241.96</b>	<b>225.76</b>	<b>117.73</b>	<b>83.93</b>
1.70	727.6	586.4	456.6	341.18	248.80	236.26	221.89	115.52	82.35
1.75	697.9	563.1	437.2	324.16	236.42	226.07	214.93	111.54	79.51
1.80	664.5	535.9	414.0	305.59	223.26	215.08	207.19	107.12	76.35

## Typical Applications

- UPS/EPS (High rate)
- Emergency lighting
- High power backup supply
- Electric starting
- Emergency power supply

## Certificates



Subject to revision without notice. Please contact our sales representatives for latest version.

Web: [www.generagybattery.com](http://www.generagybattery.com) | Email: [sales@generagybattery.com](mailto:sales@generagybattery.com)

# NH12-600W

12V600W / 15min



Graphs

