



The battery is manufactured with porous rubber and rubber separator and transparent AS case. The tubular positive plate, pasted negative plate and acid-proof bolt is applied. The combination plugs may be applied for maintenance-free for over 5 years.

Performance Characteristics

- **Nominal Voltage** 2V
- **Number of Cell** 1
- **Nominal Capacity (77°F /25°C)**
 240 Hour rate (3.03A, 1.85V) 727Ah
 100 Hour rate (6.00A, 1.85V)..... 600Ah
 10 Hour rate (50.9A, 1.80V)..... 509Ah
 5 Hour rate (84.0A, 1.80V)..... 420Ah
 3 Hour rate (125A, 1.75V) 375Ah
 1 Hour rate (265A, 1.67V) 265Ah
- **Operating Temperature Range**
 Discharge..... -20 ~ 65°C
 Charge -10 ~ 65°C
 Store..... -20 ~ 65°C
- **Self-Discharge 68°F (20°C)**
 Capacity declined per 28 days..... 4.5%
- **Max. discharge current 77°F /25°C**..... 2500A(5S)

General Features

- *The battery has a long service life, under float charging, ambient temperature 25C, it can operate over 20 years.*
- *Maximum cycle stability and durability.*
- *The battery meet the standard specified in IEC896-1 and DIN40736.*
- *High Quality and reliability.*
- *Water supplement cycle 0.25 - 1 year (normal)*
- *1-2 year (choose water content recombination valve)*
- *High cycle service life*
- *Better temperature resistance performance*
- *Excellent deep cycle performance*
- *Superior low current discharge performance*
- *Better charge reception capability*
- *Better safety performance and reliability*
- *Modular and personified installation design*
- *Performance price ratio is high and yearly operating cost is low*
- *Eco-friendly, cycle application*

Charging Method

| Application | | Initial Charge | Equalizing Charge | Float Charge |
|--|----------------|---------------------------|---------------------------|---------------------------|
| Charging Method | | Constant Current Charging | Constant Current Charging | Constant Current Charging |
| Charging Voltage at 20°C | | ---- | 2.38 ~ 2.42V | 2.23 ~ 2.27V |
| Temperature Compensation Coefficient of Charging Voltage | | ---- | -3 mV/°C | -3 mV/°C |
| Charging Current | | 25A | 50A (Max. Current) | 50A (Max. Current) |
| Charging Time 20°C | 100% Discharge | 60h | 60h | 36h |
| | 50% Discharge | 48h | 48h | 24h |
| Temperature | | 0 ~ 45°C (32 ~ 113 °F) | | |

Main Applications

- *DC power and standby power for operate equipment of power system and nuclear power station*
- *Standby power supply for various communication and signal systems*
- *Solar energy, wind energy, hydroelectric generation power storage and wind & solar hybrid project*
- *Standby power supply for shipping*
- *Standby power supply for petrochemical industry*
- *Standby power supply for UPS, medical facilities and emergency lightings and so on*
- **UPS**



Structure Features

Plate

Positive plate adopts tubular type plate which can effectively prevent active substance falling, positive plate frame is made of complex alloy, the alloy crystal particle is tiny and dens. The corrosion-resisting performance is good and service life is long. The negative plate adopts pasted plate, grid adopts radiated structure, which enhances utilization ratio of active substance and discharge capability of strong current; moreover, the charge reception capability is strong.

Battery Case

Adopts AS transparent case with corrosion prevention, high strength and beautiful appearance, the internal structure and state of battery can be directly observed via transparent case.

Separator

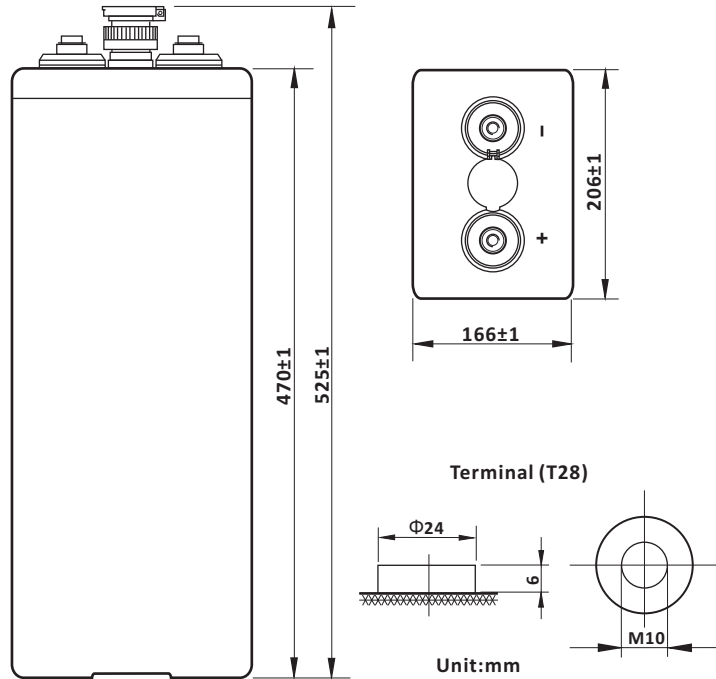
The combined separator of multi-hole corrugated plastic and micro-bore rubber separator have bigger electrolyte storage space, which enhances dispersion speed of electrolyte, greatly reduces internal resistance of battery and prevents dendrite short circuit after deep discharge.

Terminal Sealing

The built-in copper-core lead-based terminal post has strong current capacity and corrosion resistance. The unique terminal post sealing structure can effectively eliminate the stress which is generated due to plate extension, leaking is avoided, sealing reliability of terminal post is ensured and service life of battery is greatly increased.

Acid Resistant Bolt

Adopt special funnel-shaped acid resistant bolt which can filter acid fume and prevent flame, the density and temperature of electrolyte can be measured directly, use is safe and maintenance is convenient.



Dimensions and Weight

| Type | Length | Width | Height | Total Height | Dry Weight | Wet Weight | Acid Weight (d1.24) |
|----------------------|----------|----------|----------|--------------|------------|------------|---------------------|
| SI Units | 206mm | 166mm | 470mm | 525mm | 28Kg | 38Kg | 10Kg |
| English Units | 8.11inch | 6.54inch | 18.5inch | 20.67inch | 61.73lbs | 83.78lbs | 22.05lbs |

Constant Current Discharge (Amperes at 77°F/25°C)

| V/cell | 30min | 1h | 2h | 3h | 4h | 5h | 6h | 8h | 10h | 24h | 48h | 100h | 120h | 240h |
|--------|-------|-----|-----|-----|------|------|------|------|------|------|------|------|------|------|
| 1.70V | 328 | 253 | 165 | 128 | 103 | 87.0 | 76.0 | 61.0 | 51.0 | ---- | ---- | ---- | ---- | ---- |
| 1.75V | 300 | 236 | 160 | 125 | 102 | 85.0 | 75.0 | 60.0 | 51.0 | 26.5 | 14.5 | ---- | ---- | ---- |
| 1.80V | 283 | 221 | 155 | 119 | 100 | 84.0 | 72.5 | 59.0 | 50.0 | 26.0 | 14.5 | ---- | ---- | ---- |
| 1.85V | 258 | 216 | 145 | 116 | 95.0 | 79.0 | 70.0 | 57.5 | 48.5 | 25.5 | 14.0 | 6.00 | 5.20 | 3.03 |
| 1.90V | 248 | 203 | 130 | 110 | 88.5 | 76.5 | 67.5 | 55.0 | 46.5 | 24.0 | 13.5 | 5.90 | 5.10 | 3.00 |

Constant Power Discharge (Watts at 77°F/25°C)

| V/cell | 30min | 1h | 2h | 3h | 4h | 5h | 6h | 8h | 10h | 24h | 48h | 100h | 120h | 240h |
|--------|-------|-----|-----|-----|-----|-----|-----|-----|------|------|------|------|------|------|
| 1.70V | 600 | 474 | 312 | 243 | 196 | 166 | 146 | 118 | 98.5 | ---- | ---- | ---- | ---- | ---- |
| 1.75V | 555 | 447 | 304 | 239 | 195 | 164 | 144 | 116 | 98.5 | 52.8 | 29.0 | ---- | ---- | ---- |
| 1.80V | 533 | 420 | 297 | 228 | 193 | 162 | 141 | 115 | 98.0 | 51.8 | 29.2 | ---- | ---- | ---- |
| 1.85V | 490 | 415 | 280 | 225 | 185 | 155 | 138 | 114 | 96.0 | 51.0 | 28.4 | 12.2 | 10.6 | 6.25 |
| 1.90V | 475 | 394 | 254 | 216 | 175 | 152 | 134 | 110 | 93.0 | 48.4 | 27.5 | 12.0 | 10.5 | 6.15 |

