

# EB12-200

12V200Ah / 10hr rate



## Introduction

Generagy EB series is designed for European standard with 12-year design life in float service. The series battery is featured of high consistency, excellent performance and reliable standby service life. It is widely applied in float service, UPS/EPS, medical equipment, telecom, photovoltaic, control system and security system.

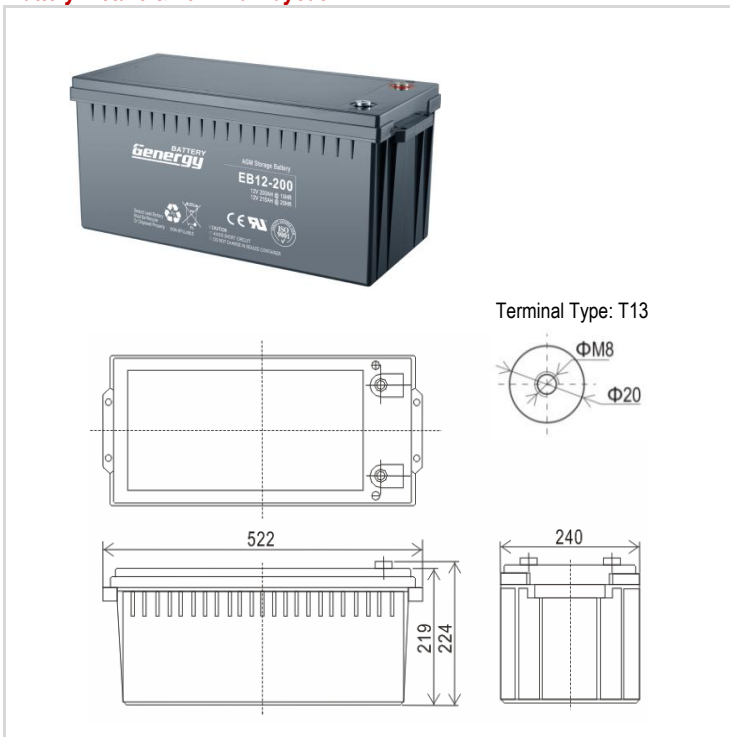
## Battery Features

- Increase durability and deep cycle ability for heavy demand applications
- Low self-discharge
- Fully tank formed plates
- Low impurity electrolyte
- Spill proof / leak proof
- Multi-position usage
- ABS case and cover VO upon request
- Very high purity lead

## Electrical Specification

|  |              |
|--|--------------|
| Design floating Life @ 20°C (68°F)   | 12 years     |
| Nominal Capacity @ 20°C (68°F)   |              |
| 20 hour rate 10.72A to 1.75Vp  | 214.4 Ah     |
| 10 hour rate 20.37A to 1.80Vpc   | 203.7 Ah     |
| Internal Resistance  |              |
| (Fully charged battery @ 20°C (68°F))  | 3.5 mΩ       |
| Max. Discharge Current @ 20°C (68°F)   | 2000 A (5S)  |
| Charge Methods: Constant voltage charge @ 20°C (68°F)  |              |
| Cycle Use  | 14.7 ~ 14.9V |
| Max. Current   | 53 A         |
| Standby Use  | 13.6 - 13.8V |
| Operating Temperature Range  | -30 ~ 50°C   |
| <i>Notes: battery voltage must be adjusted according to temperature. Please refer to our recommendation.</i> |              |
| Self-Discharge   |              |
| 3% of capacity declined per month @ 20°C (68°F).   |              |

## Battery Picture & Terminal Layout



## Dimension & Weight

| Length    | Dimension (± 2mm) |          |          | Total Height | Weight (± 2%) |
|-----------|-------------------|----------|----------|--------------|---------------|
|           | Width             | Height   |          |              |               |
| 522 mm    | 240 mm            | 219 mm   | 224 mm   | 59.7 kg      |               |
| 20.6 inch | 9.4 inch          | 8.6 inch | 8.8 inch | 131.6 lbs    |               |

## Typical Applications

- UPS & EPS
- Telecommunications
- Power Utility
- Security Power Supply

## Constant Current Discharge (Amperes @ 20°C (68°F))

| V/cell | 10min  | 15min  | 20min  | 25min  | 30min  | 35min  | 40min  | 45min  | 50min  | 55min  | 1hr    | 2hr   | 3hr   | 4hr   | 5hr   | 10hr  | 20hr  |
|--------|--------|--------|--------|--------|--------|--------|--------|--------|--------|--------|--------|-------|-------|-------|-------|-------|-------|
| 1.60   | 436.09 | 332.89 | 287.58 | 242.27 | 205.06 | 200.79 | 187.24 | 174.84 | 163.48 | 153.65 | 153.10 | 83.00 | 59.06 | 49.05 | 40.10 | 21.43 | 10.82 |
| 1.65   | 414.10 | 316.11 | 274.56 | 233.01 | 199.56 | 195.48 | 182.59 | 170.84 | 160.15 | 150.99 | 151.02 | 81.40 | 57.93 | 48.02 | 39.18 | 21.32 | 10.80 |
| 1.70   | 397.00 | 303.06 | 263.72 | 224.38 | 193.15 | 189.01 | 176.63 | 165.34 | 155.17 | 146.51 | 146.86 | 78.65 | 56.59 | 46.89 | 38.25 | 21.12 | 10.78 |
| 1.75   | 378.68 | 289.07 | 251.95 | 214.83 | 185.82 | 181.87 | 170.33 | 159.84 | 150.51 | 142.69 | 143.74 | 76.47 | 55.36 | 45.86 | 37.43 | 20.91 | 10.72 |
| 1.80   | 359.13 | 274.15 | 239.56 | 204.98 | 178.49 | 174.56 | 163.69 | 153.84 | 145.19 | 138.05 | 139.58 | 73.73 | 54.02 | 44.73 | 36.50 | 20.37 | 10.62 |

## Constant Power Discharge (Watts/cell @ 20°C (68°F))

| V/cell | 10min  | 15min  | 20min  | 25min  | 30min  | 35min  | 40min  | 45min  | 50min  | 55min  | 1hr    | 2hr    | 3hr    | 4hr   | 5hr   | 10hr  | 20hr  |
|--------|--------|--------|--------|--------|--------|--------|--------|--------|--------|--------|--------|--------|--------|-------|-------|-------|-------|
| 1.60   | 757.36 | 578.14 | 508.79 | 439.44 | 383.06 | 376.04 | 349.31 | 324.74 | 301.89 | 282.60 | 279.12 | 153.44 | 111.66 | 92.65 | 76.30 | 42.75 | 22.56 |
| 1.65   | 730.48 | 557.62 | 491.75 | 425.88 | 372.98 | 366.08 | 340.36 | 316.74 | 294.90 | 276.62 | 273.92 | 150.32 | 110.63 | 91.62 | 75.27 | 42.34 | 22.56 |
| 1.70   | 702.39 | 536.17 | 473.49 | 410.80 | 361.07 | 354.46 | 330.08 | 307.73 | 287.25 | 270.32 | 268.73 | 146.70 | 108.57 | 90.03 | 74.14 | 41.52 | 22.25 |
| 1.75   | 671.85 | 512.86 | 453.67 | 394.48 | 348.25 | 341.84 | 318.80 | 297.73 | 278.60 | 263.01 | 262.49 | 142.03 | 105.49 | 87.82 | 72.80 | 41.21 | 21.85 |
| 1.80   | 638.87 | 487.69 | 432.30 | 376.92 | 334.51 | 328.23 | 306.53 | 286.73 | 268.95 | 254.72 | 255.21 | 137.01 | 102.71 | 85.61 | 71.16 | 40.80 | 21.64 |

Subject to revision without notice. Please contact our sales representatives for latest version.

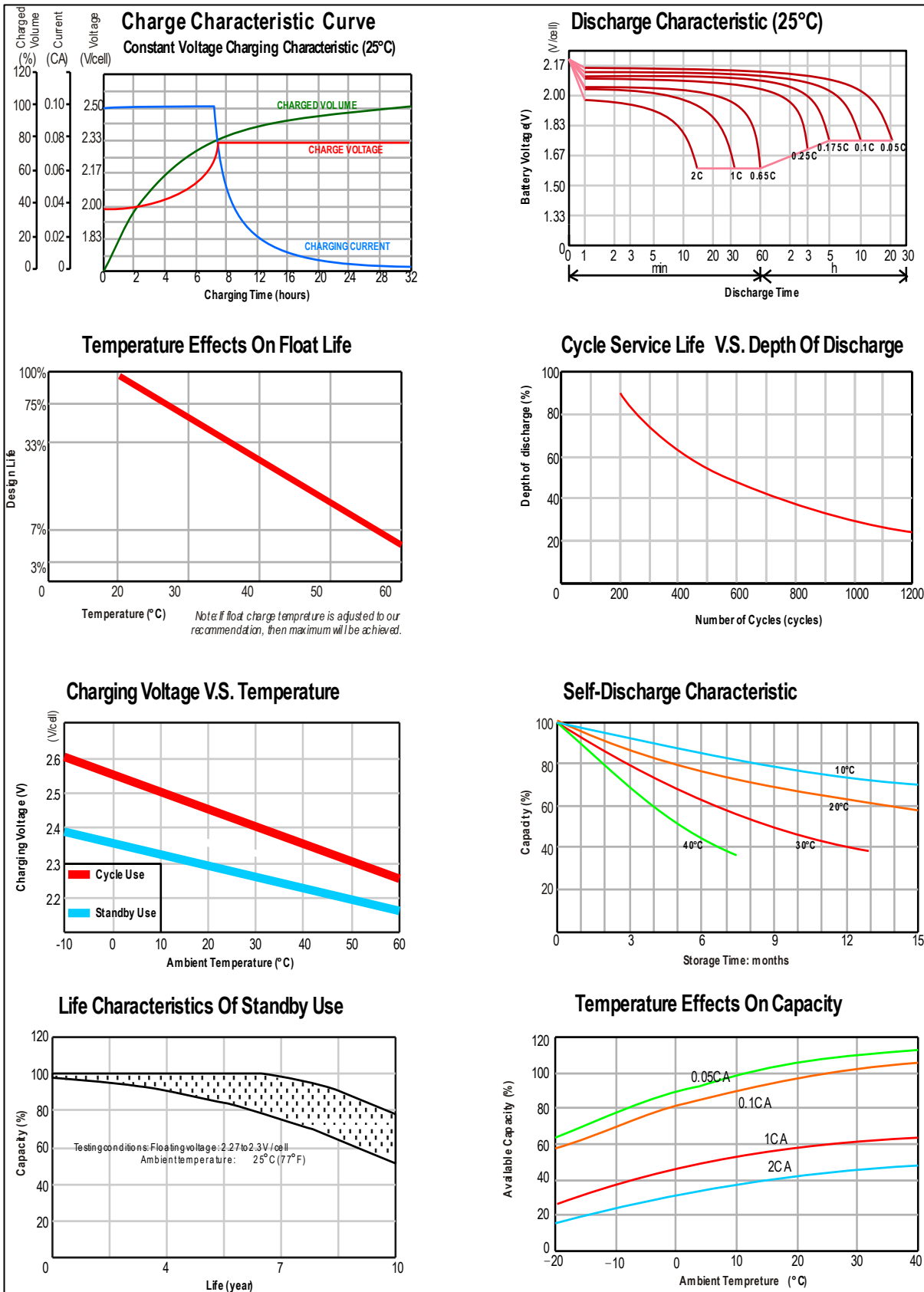
Web: [www.generagybattery.com](http://www.generagybattery.com) | Email: [sales@generagybattery.com](mailto:sales@generagybattery.com)

# EB12-200

12V200Ah / 10hr rate



Graphs



Subject to revision without notice. Please contact our sales representatives for latest version.