

NF12-150G

12V150Ah / 10hr rate



Introduction

Generagy NF-G series is designed for telecommunication UPS/EPS system with 12-year design life in float service. The battery is featured of high consistency, excellent performance and reliable standby service life.

Battery Features

- Compactness
- ETSI 19 inch / 23 inch integration
- Rackable standard component
- High power to volume ratio
- Modularity
- Long life
- Front connection and terminal access
- Central gassing system and hinged front covers on all models
- Fully tank formed plates
- Low impurity electrolyte
- Multi-position usage
- Spill proof / leak proof
- ABS case and cover VO upon request
- Very high purity lead

Electrical Specification

| | |
|------------------------------------|----------|
| Design floating Life @ 25°C (77°F) | 12 years |
| Nominal Capacity @ 25°C /77°F | |
| 20 hour rate 7.94A to 1.75Vpc | 158 Ah |
| 10 hour rate 15.13A to 1.75Vp | 151 Ah |

Internal Resistance

(Fully charged battery @ 25°C /77°F) 5mΩ

Max. Discharge Current @ 25°C /77°F 1200 A (5S)

Charge Methods: Constant voltage charge @ 25°C /77°F

Cycle Use 14.7 ~ 14.9V

Max. Current 45 A

Standby Use 13.6 - 13.8V

Operating Temperature Range -30 ~ 50°C

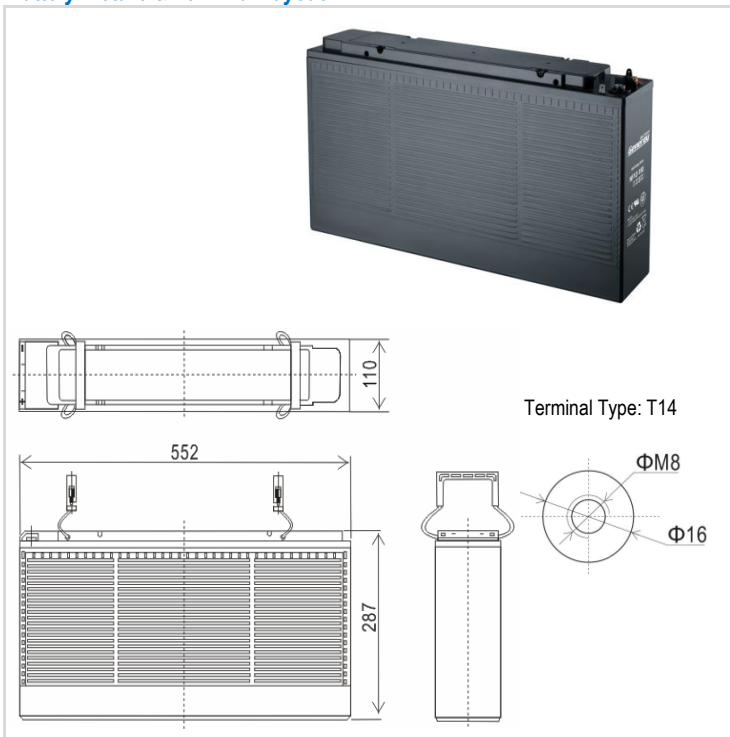
Notes: battery voltage must be adjusted according to temperature.

Please refer to our recommendation.

Self-Discharge

<3% of capacity declined per month @ 25°C (77°F).

Battery Picture & Terminal Layout



Dimension & Weight

| Length | Dimension (± 2mm) | | | Total Height | Weight (± 2%) |
|-----------|-------------------|-----------|-----------|--------------|---------------|
| | Width | Height | | | |
| 552 mm | 110 mm | 287 mm | 287 mm | 43.5 kg | |
| 21.7 inch | 4.3 inch | 11.3 inch | 11.3 inch | 95.9 lbs | |

Typical Applications

- Telecommunications
- Power Utility
- Data Center
- UPS & EPS

Certificates



Constant Current Discharge (Amperes @ 25°C /77°F)

| V/cell | 10min | 15min | 20min | 25min | 30min | 35min | 40min | 45min | 50min | 55min | 1hr | 2hr | 3hr | 4hr | 5hr | 10hr | 20hr |
|--------|-------|-------|-------|-------|-------|-------|-------|-------|-------|-------|------|-------|-------|-------|-------|-------|------|
| 1.60 | 379.0 | 289.3 | 250.5 | 210.6 | 168.2 | 148.1 | 135.2 | 122.7 | 113.1 | 105.7 | 95.0 | 64.39 | 45.14 | 35.77 | 29.49 | 15.42 | 8.08 |
| 1.65 | 362.1 | 276.4 | 243.1 | 203.8 | 162.2 | 144.6 | 132.1 | 119.9 | 110.6 | 103.6 | 93.2 | 63.09 | 44.40 | 35.10 | 28.90 | 15.42 | 8.08 |
| 1.70 | 348.9 | 266.3 | 234.1 | 196.2 | 155.3 | 140.0 | 128.1 | 116.4 | 107.8 | 101.2 | 91.5 | 61.80 | 43.51 | 34.36 | 28.30 | 15.27 | 8.00 |
| 1.75 | 334.6 | 255.4 | 224.7 | 188.4 | 150.2 | 135.5 | 124.1 | 113.0 | 104.9 | 98.9 | 89.7 | 60.51 | 42.62 | 33.62 | 27.71 | 15.12 | 7.94 |
| 1.80 | 318.3 | 242.9 | 213.6 | 179.0 | 142.7 | 129.8 | 119.2 | 108.8 | 101.4 | 96.2 | 87.8 | 59.04 | 41.73 | 32.81 | 26.97 | 14.82 | 7.78 |

Constant Power Discharge (Watts/cell @ 25°C /77°F)

| V/cell | 10min | 15min | 20min | 25min | 30min | 35min | 40min | 45min | 50min | 55min | 1hr | 2hr | 3hr | 4hr | 5hr | 10hr | 20hr |
|--------|-------|-------|-------|-------|-------|-------|-------|-------|-------|-------|-------|--------|-------|-------|-------|-------|-------|
| 1.60 | 633.0 | 483.2 | 425.9 | 368.5 | 299.3 | 264.1 | 243.6 | 223.5 | 205.2 | 188.7 | 170.0 | 116.94 | 83.91 | 67.66 | 55.91 | 30.53 | 15.99 |
| 1.65 | 615.6 | 469.9 | 413.3 | 356.6 | 288.7 | 254.8 | 235.2 | 216.0 | 198.7 | 183.1 | 165.3 | 113.49 | 83.17 | 67.07 | 55.47 | 30.53 | 15.99 |
| 1.70 | 593.1 | 452.7 | 398.0 | 343.4 | 278.0 | 245.6 | 227.2 | 209.2 | 192.9 | 178.4 | 161.9 | 110.90 | 82.43 | 66.48 | 55.02 | 30.23 | 15.85 |
| 1.75 | 568.8 | 434.2 | 381.9 | 329.7 | 267.3 | 236.3 | 218.8 | 201.7 | 186.3 | 172.7 | 157.2 | 107.45 | 81.54 | 65.81 | 54.58 | 29.94 | 15.71 |
| 1.80 | 541.0 | 413.0 | 363.1 | 313.2 | 254.0 | 224.8 | 208.7 | 193.0 | 179.0 | 166.6 | 152.6 | 104.01 | 80.80 | 65.22 | 54.13 | 29.65 | 15.57 |

Subject to revision without notice. Please contact our sales representatives for latest version.

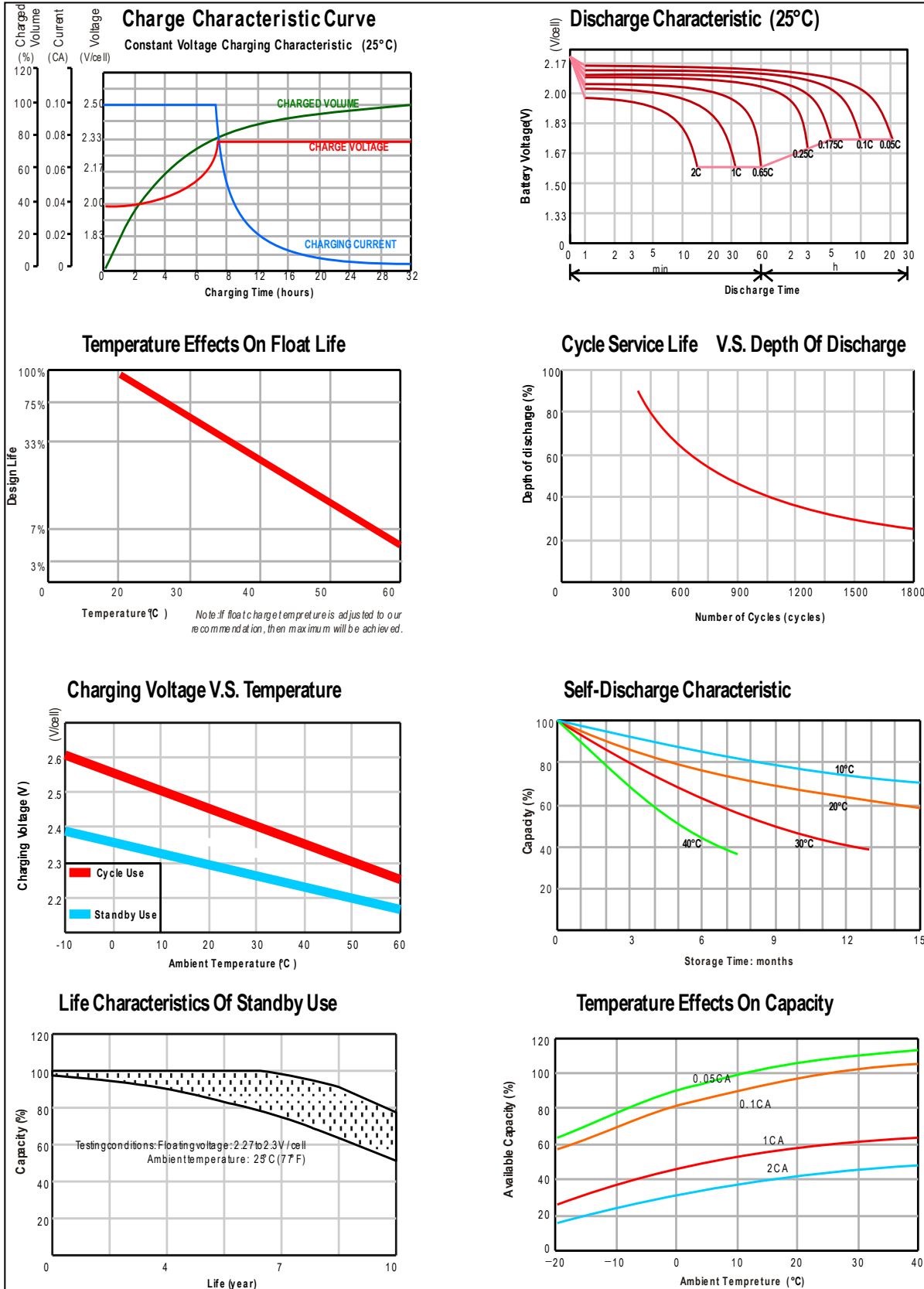
Web: www.generagybattery.com | Email: sales@generagybattery.com

NF12-150G

12V150Ah / 10hr rate



Graphs



Subject to revision without notice. Please contact our sales representatives for latest version.

Web: www.genergybattery.com | Email: sales@genergybattery.com