

NG2-1000

2V1000Ah / 20hr rate



Introduction

Genergy NG (2 Volt) series is designed for solar and other renewable energy system applications with a 15 years design life. The series battery is a genuine Gelled electrolyte valve regulated product. Featured of its performance is an enhanced cycle life in comparison to traditional AGM products.

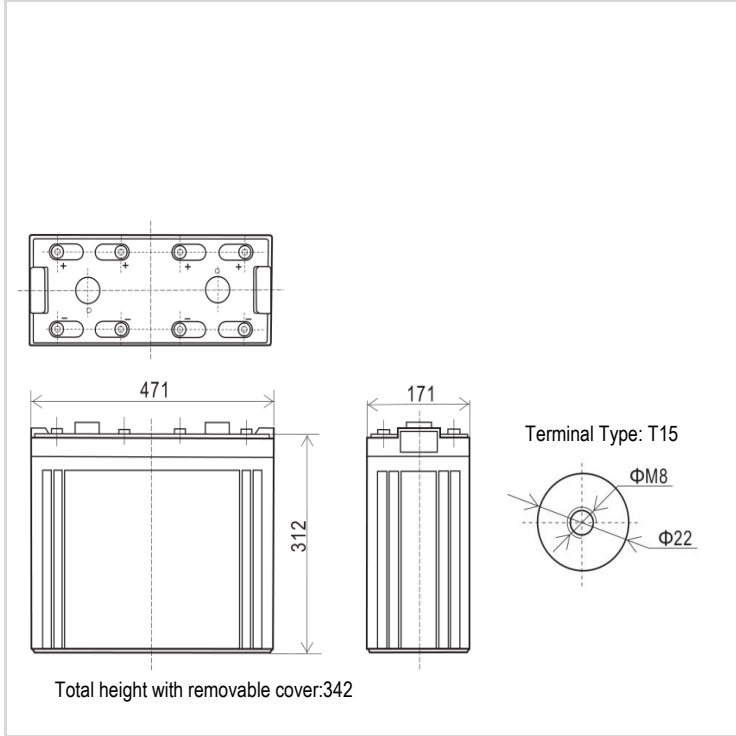
Battery Features

- Completed maintenance free
- Electrolyte will not stratify, no equalization charge required.
- Enhanced cycle life
- Genuine Gelled thixotropic electrolyte (Silicon Gel)
- Increase durability and deep cycle ability for heavy demand applications
- Low self-discharge
- Fully tank formed plates
- Low impurity electrolyte
- Spill proof / leak proof
- Multi-position usage
- ABS case and cover VO upon request

Electrical Specification

Design floating Life @ 25°C (77°F)	15 years
Nominal Capacity @ 25°C /77°F	
20 hour rate 50.2A to 1.75Vpc	1004Ah
10 hour rate 97.8A to 1.75Vpc	978Ah
Internal Resistance	
(Fully charged battery @ 25°C /77°F)	0.6 mΩ
Max. Discharge Current @ 25°C /77°F	5000 A (5S)
Charge Methods: Constant voltage charge @ 25°C /77°F	
Cycle Use	2.45 ~ 2.49V
Max. Current	250 A
Standby Use	2.25 ~ 2.30V
Operating Temperature Range	-30 ~ 50°C
<i>Notes: battery voltage must be adjusted according to temperature. Please refer to our recommendation.</i>	
Self-Discharge	<3% of capacity declined per month @ 25°C (77°F).

Battery Picture & Terminal Layout



Dimension & Weight

Length	Dimension (± 2mm)			Total Height	Weight (± 2%)
	Width	Height	Total Height		
471 mm	171 mm	312 mm	342 mm	65.6 kg	
18.5 inch	6.7 inch	12.3 inch	13.5 inch	144.6 lbs	

Typical Applications

- Solar Energy System
- Wind Energy System
- Power Utility
- UPS/EPS
- BTS system
- Data Center

Constant Current Discharge (Amperes @ 25°C /77°F)

V/cell	10min	15min	20min	25min	30min	35min	40min	45min	50min	55min	1hr	2hr	3hr	4hr	5hr	10hr	20hr
1.60	1780	1459	1322	1166	1050	943	887	830	781	736	716	389.7	276.1	229.5	187.6	100.2	50.6
1.65	1690	1385	1262	1121	1022	918	865	811	765	723	706	382.2	270.8	224.7	183.3	99.8	50.6
1.70	1621	1328	1213	1080	990	888	837	785	741	702	686	369.3	264.5	219.4	179.0	98.8	50.6
1.75	1546	1267	1158	1034	953	854	807	759	718	684	672	359.1	258.7	214.6	175.1	97.8	50.2
1.80	1466	1202	1101	986	916	820	776	730	693	661	652	346.3	252.5	209.3	170.8	95.3	49.7

Constant Power Discharge (Watts/cell @ 25°C /77°F)

V/cell	10min	15min	20min	25min	30min	35min	40min	45min	50min	55min	1hr	2hr	3hr	4hr	5hr	10hr	20hr
1.60	3092	2534	2339	2115	1929	1767	1655	1541	1437	1345	1291	698.5	509.9	433.4	357.0	200.0	105.5
1.65	2982	2444	2261	2050	1879	1720	1613	1503	1403	1316	1267	683.9	505.1	428.6	352.1	198.1	105.5
1.70	2867	2350	2177	1977	1819	1665	1564	1460	1367	1286	1242	667.0	495.5	421.2	346.8	194.2	104.1
1.75	2743	2248	2086	1898	1754	1606	1510	1413	1325	1251	1213	645.2	481.1	410.8	340.6	192.8	102.2
1.80	2608	2137	1988	1814	1685	1542	1452	1361	1279	1211	1179	621.6	468.1	400.5	332.9	190.9	101.3

Subject to revision without notice. Please contact our sales representatives for latest version.

Web: www.genergybattery.com | Email: sales@genergybattery.com

NG2-1000

2V1000Ah / 20hr rate



Graphs

