

NG2-300

2V300Ah / 20hr rate



Introduction

Genergy NG (2 Volt) series is designed for solar and other renewable energy system applications with a 15 years design life. The series battery is a genuine Gelled electrolyte valve regulated product. Featured of its performance is an enhanced cycle life in comparison to traditional AGM products.

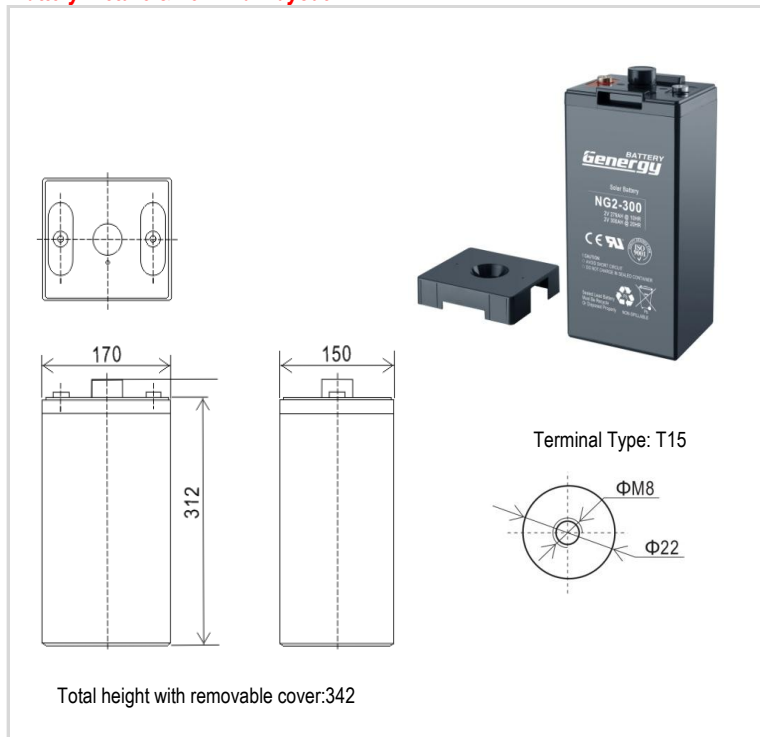
Battery Features

- Completed maintenance free
- Electrolyte will not stratify, no equalization charge required.
- Enhanced cycle life
- Genuine Gelled thixotropic electrolyte (Silicon Gel)
- Increase durability and deep cycle ability for heavy demand applications
- Low self-discharge
- Fully tank formed plates
- Low impurity electrolyte
- Spill proof / leak proof
- Multi-position usage
- ABS case and cover VO upon request

Electrical Specification

Design floating Life @ 25°C (77°F)	15 years
Nominal Capacity @ 25°C /77°F	
20 hour rate 15.05A to 1.75Vpc	301Ah
10 hour rate 29.35A to 1.75Vpc	293Ah
Internal Resistance	
(Fully charged battery @ 25°C /77°F)	1.0 mΩ
Max. Discharge Current @ 25°C /77°F	1500 A (5S)
Charge Methods: Constant voltage charge @ 25°C /77°F	
Cycle Use	2.45 ~ 2.49V
Max. Current	75 A
Standby Use	2.25 ~ 2.30V
Operating Temperature Range	-30 ~ 50°C
<i>Notes: battery voltage must be adjusted according to temperature. Please refer to our recommendation.</i>	
Self-Discharge	<3% of capacity declined per month @ 25°C (77°F).

Battery Picture & Terminal Layout



Dimension & Weight

Length	Dimension (± 2mm)			Total Height	Weight (± 2%)
	Width	Height			
170 mm	150 mm	312 mm		342 mm	19.4 kg
6.7 inch	5.9 inch	12.3 inch		13.5 inch	42.8 lbs

Typical Applications

- Solar Energy System
- Wind Energy System
- Power Utility
- UPS/EPS
- BTS system
- Data Center

Constant Current Discharge (Amperes @ 25°C /77°F)

V/cell	10min	15min	20min	25min	30min	35min	40min	45min	50min	55min	1hr	2hr	3hr	4hr	5hr	10hr	20hr
1.60	534.0	437.7	396.7	349.8	315.0	283.0	266.1	248.9	234.2	220.8	214.7	116.90	82.82	68.84	56.28	30.07	15.19
1.65	507.1	415.6	378.7	336.4	306.7	275.5	259.5	243.2	229.4	217.0	211.8	114.65	81.23	67.40	54.99	29.93	15.19
1.70	486.2	398.5	363.8	324.0	297.0	266.4	251.1	235.4	222.2	210.6	205.9	110.80	79.35	65.81	53.69	29.64	15.19
1.75	463.7	380.1	347.5	310.2	286.0	256.3	242.1	227.6	215.5	205.1	201.6	107.74	77.62	64.37	52.53	29.35	15.05
1.80	439.8	360.5	330.4	295.9	274.9	246.1	232.7	219.0	207.9	198.4	195.7	103.89	75.74	62.78	51.23	28.59	14.91

Constant Power Discharge (Watts/cell @ 25°C /77°F)

V/cell	10min	15min	20min	25min	30min	35min	40min	45min	50min	55min	1hr	2hr	3hr	4hr	5hr	10hr	20hr
1.60	927.5	760.2	701.8	634.4	578.8	530.0	496.5	462.3	431.0	403.5	387.3	209.55	152.98	130.03	107.09	60.00	31.66
1.65	894.6	733.2	678.3	614.9	563.6	516.0	483.8	451.0	421.0	394.9	380.0	205.18	151.54	128.59	105.64	59.42	31.66
1.70	860.2	705.0	653.1	593.1	545.6	499.6	469.2	438.1	410.0	385.8	372.7	200.09	148.65	126.35	104.05	58.27	31.23
1.75	822.8	674.3	625.8	569.5	526.3	481.8	453.1	423.9	397.6	375.3	363.9	193.55	144.32	123.25	102.18	57.83	30.66
1.80	782.4	641.2	596.3	544.2	505.5	462.7	435.7	408.2	383.7	363.4	353.7	186.49	140.42	120.15	99.87	57.26	30.38

Subject to revision without notice. Please contact our sales representatives for latest version.

Web: www.genergybattery.com | Email: sales@genergybattery.com

Version NO.2018110

Page 1 of 2

NG2-300

2V300Ah / 20hr rate



Graphs

