

NG2-800

2V800Ah / 20hr rate



Introduction

Genergy NG (2 Volt) series is designed for solar and other renewable energy system applications with a 15 years design life. The series battery is a genuine Gelled electrolyte valve regulated product. Featured of its performance is an enhanced cycle life in comparison to traditional AGM products.

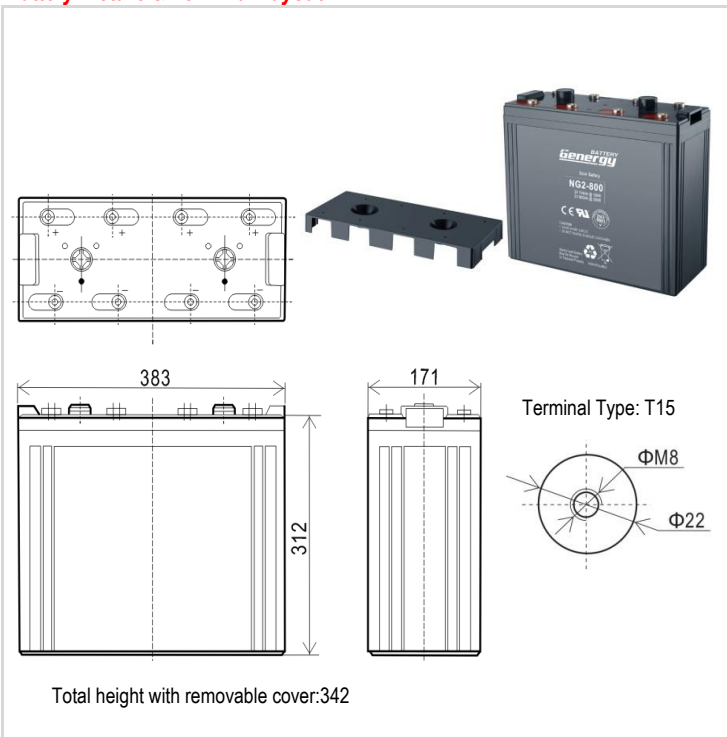
Battery Features

- Completed maintenance free
- Electrolyte will not stratify, no equalization charge required.
- Enhanced cycle life
- Genuine Gelled thixotropic electrolyte (Silicon Gel)
- Increase durability and deep cycle ability for heavy demand applications
- Low self-discharge
- Fully tank formed plates
- Low impurity electrolyte
- Spill proof / leak proof
- Multi-position usage
- ABS case and cover VO upon request

Electrical Specification

Design floating Life @ 25°C (77°F)	15 years
Nominal Capacity @ 25°C /77°F	
20 hour rate 40.13A to 1.75Vpc	802.6Ah
10 hour rate 78.27A to 1.75Vpc	782.7Ah
Internal Resistance	
(Fully charged battery @ 25°C /77°F)	0.7mΩ
Max. Discharge Current @ 25°C /77°F	4000 A (5S)
Charge Methods: Constant voltage charge @ 25°C /77°F	
Cycle Use	2.45 ~ 2.49V
Max. Current	200 A
Standby Use	2.25 ~ 2.30V
Operating Temperature Range	-30 ~ 50°C
<i>Notes: battery voltage must be adjusted according to temperature. Please refer to our recommendation.</i>	
Self-Discharge	<3% of capacity declined per month @ 25°C (77°F).

Battery Picture & Terminal Layout



Dimension & Weight

Length	Dimension (± 2mm)			Total Height	Weight (± 2%)
	Width	Height			
383 mm	171 mm	312 mm	342 mm	55.7 kg	
15.1 inch	6.7 inch	12.3 inch	13.5 inch	122.8 lbs	

Typical Applications

- Solar Energy System
- Wind Energy System
- Power Utility
- UPS/EPS
- BTS system
- Data Center

Constant Current Discharge (Amperes @ 25°C /77°F)

V/cell	10min	15min	20min	25min	30min	35min	40min	45min	50min	55min	1hr	2hr	3hr	4hr	5hr	10hr	20hr
1.60	1424	1167	1058	933	840	755	710	664	624	589	573	312	221	184	150	80.20	40.50
1.65	1352	1108	1010	897	818	735	692	649	612	579	565	306	217	180	147	79.81	40.50
1.70	1296	1063	970	864	792	710	669	628	593	562	549	295	212	175	143	79.04	40.50
1.75	1237	1014	927	827	763	684	646	607	575	547	538	287	207	172	140	78.27	40.13
1.80	1173	961	881	789	733	656	620	584	554	529	522	277	202	167	137	76.23	39.75

Constant Power Discharge (Watts/cell @ 25°C /77°F)

V/cell	10min	15min	20min	25min	30min	35min	40min	45min	50min	55min	1hr	2hr	3hr	4hr	5hr	10hr	20hr
1.60	2473	2027	1871	1692	1543	1413	1324	1233	1149	1076	1033	559	408	347	286	160.0	84.42
1.65	2386	1955	1809	1640	1503	1376	1290	1203	1123	1053	1013	547	404	343	282	158.5	84.42
1.70	2294	1880	1742	1582	1455	1332	1251	1168	1093	1029	994	534	396	337	277	155.4	83.28
1.75	2194	1798	1669	1519	1403	1285	1208	1130	1060	1001	971	516	385	329	272	154.2	81.77
1.80	2086	1710	1590	1451	1348	1234	1162	1089	1023	969	943	497	374	320	266	152.7	81.01

Subject to revision without notice. Please contact our sales representatives for latest version.

Web: www.genergybattery.com | Email: sales@genergybattery.com

Version NO.20181101

Page 1 of 2

NG2-800

2V800Ah / 20hr rate



Graphs

